

PRODUCT SPECIFICATION

3161A-SL

Wi-Fi Single-band 1x1 802.11b/g/n

SDIO Module Datasheet

Version:v1.6



3161A-SL Module Datasheet

Ordering Information	Part NO.	Description
	FG3161ASLX-00	Hi3861L, b/g/n Wi-Fi, 1T1R, 12X12mm, SDIO, PCB V1.0 Halogen Free,with shielding.TVS
	FG3161ASLX-01	Hi3861L, b/g/n Wi-Fi, 1T1R, 12X12mm, SDIO, PCB V1.0 Halogen Free,with shielding.TVS,NO RTC.
	FG3161ASLX-02	Hi3861L, b/g/n Wi-Fi, 1T1R, 12X12mm, SDIO, PCB V2.0 Halogen Free,with shielding.TVS,(New HDK)
	FG3161ASLX-03	Hi3861L, b/g/n Wi-Fi, 1T1R, 12X12mm, SDIO, PCB V2.0 Halogen Free,with shielding.TVS,NO RTC.(New HDK)

Customer: _____

Customer P/N: _____

Signature: _____

Date: _____

Office: 14th floor, Block B, phoenix zhigu, Xixiang Street, Baoan District, Shenzhen

Factory: NO.8, Litong RD., Liuyang Economic & Technical Development Zone, Changsha, CHINA

TEL:+86-755-2955-8186

Website:www.fn-link.com

CONTENTS

1. General Description.....	5
1.1 Introduction.....	5
1.2 Description.....	5
2. Features.....	6
3. Block Diagram.....	6
4. General Specification.....	7
4.1 WI-FI Specification.....	7
5. Pin Definition.....	8
5.1 Pin Outline.....	8
5.2 Pin Definition details.....	9
5.3 Muti Pin definition.....	10
6. Electrical Specifications.....	11
6.1 Power Supply DC Characteristics.....	11
6.2 Power Consumption.....	11
6.3 Interface Circuit time series.....	12
6.3.1 SDIO Pin Description.....	12
6.3.2 Power on Sequence.....	12
6.3.3 SDIO CLK Timing Diagram.....	13
7. Size reference.....	18
7.1 Module Picture.....	18
7.2 Marking Description.....	18
7.3 Physical Dimensions.....	19
7.4 Layout Recommendation.....	20
8. The Key Material List.....	20
9. Reference Design.....	21
9.1 4line SDIO Reference Design.....	21
9.2 1line SDIO Reference Design.....	22
9.3 Design Attention.....	23
10. Recommended Reflow Profile.....	24
11. RoHS compliance.....	24
12. Package.....	25
12.1 Reel.....	25
12.2 Carrier Tape Detail.....	25
12.3 Packaging Detail.....	26
13. Moisture sensitivity.....	26

Revision History

Version	Date	Contents of Revision Change	Draft	Checked	Approved
V1.0	2020/04/22	New version	Lxy	Lxy	Szs
V1.1	2020/05/30	Add 1line sdio application	Lxy	Lxy	Szs
V1.2	2021/01/07	Add -01 type, without RTC component	Lxy	Lxy	Szs
V1.3	2021/07/12	Added lable on module	Lxy	Lxy	QJP
V1.4	2021/08/17	Added -02 type model	LXY	LXY	QJP
V1.5	2021/10/21	Added -03 type model	LXY	LXY	QJP
V1.6	2022/03/09	1.Update the specification format 2.Change RF power tolerance to ± 2 dbm	FC	LXY	QJP

1. General Description

1.1 Introduction

3161A-SL is a highly integrated 2.4 GHz Wi-Fi module that support the IEEE 802.11b/g/n baseband and RF circuit. It supports 20 MHz standard bandwidth and 5 MHz/10 MHz narrow bandwidth, and provides a physical layer rate up to 72.2 Mbit/s. Wi-Fi baseband supports the orthogonal frequency division multiplexing (OFDM) technology and is backward compatible with the direct sequence spread spectrum (DSSS) and complementary code keying (CCK) technologies, offering various data rates defined in the IEEE 802.11 b/g/n protocol.

Module chipset integrates a high-performance 32-bit microprocessor, a hardware security engine, and various peripheral interfaces, including the SPI, UART, I2C, PWM, GPIO, and multi-channel ADC. In addition, it provides high-speed SDIO2.0 slave interfaces, with clock frequency up to 50 MHz. Its built-in SRAM and flash can operate independently and even programming is allowed on the flash.

1.2 Description

Model Name	3161A-SL
Product Description	Support Wi-Fi functionalities
Dimension	L x W x H: 12 x 12 x2.3 mm
Wi-Fi Interface	Support SDIO
OS supported	Android /Linux/ Win CE /iOS /XP/WIN7/WIN10
Operating temperature	-40°C to 85°C
Storage temperature	-40°C to 85°C

2. Features

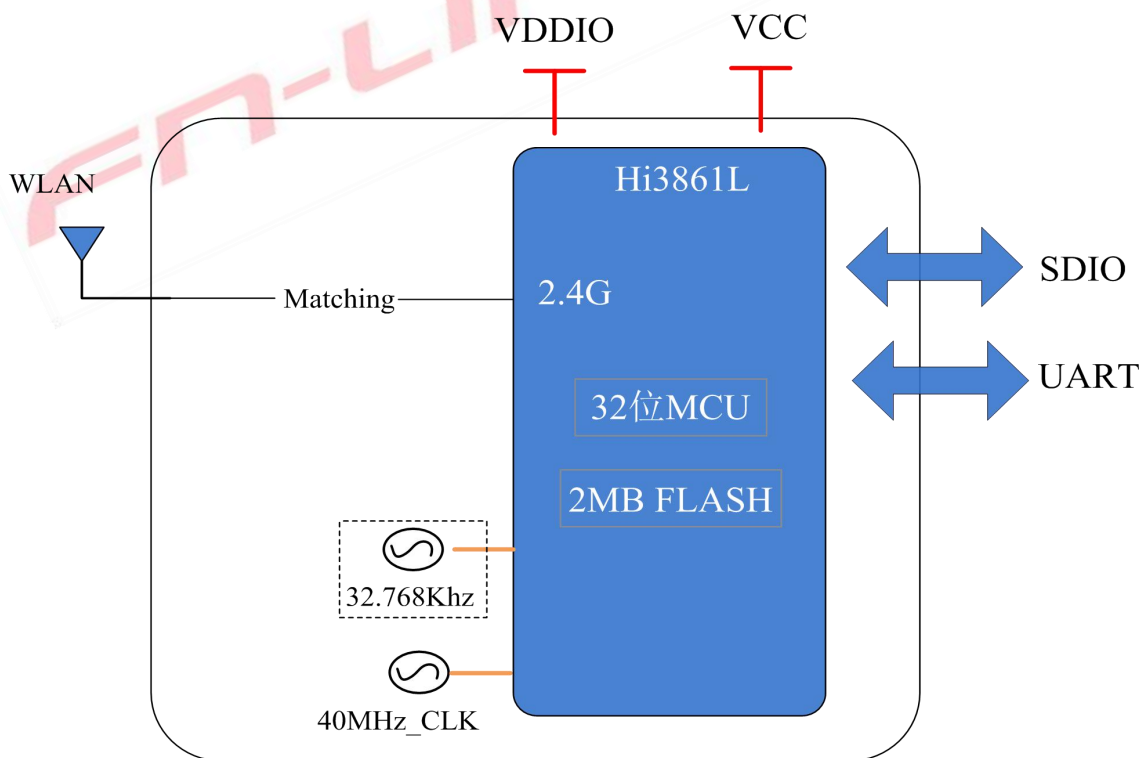
General Features

- Operate at ISM frequency bands (2.4GHz)
- Maximum rate of 72.2 Mbit/s@HT20 MCS7
- Low power dissipation
- High transmitting power
- High receiving sensitivity
- PHY supporting IEEE 802.11b/g/n
- MAC supporting IEEE802.11 d/e/h/i/k/v/w
- Module integrated 32K clock
- WFA WPA, WFA WPA2 personal, and WPS2.0 for Wi-Fi
- Built-in 352 KB SRAM and 288 KB ROM
- Main chipset Built-in 32bit MCU and 2 MB flash memory

WLAN Interface

- SDIO interface for Wi-Fi

3. Block Diagram



4. General Specification

4.1 WI-FI Specification

Feature	Description	
WLAN Standard	IEEE 802.11 b/g/n Wi-Fi compliant	
Frequency Range	2.400 GHz ~ 2.4835 GHz (2.4 GHz ISM Band)	
Number of Channels	2.4GHz: Ch1 ~ Ch14	
Test Items	Typical Value	EVM
Output Power	802.11b /11Mbps : 16dBm ± 2 dB	EVM ≤ -10dB
	802.11g /54Mbps : 16dBm ± 2 dB	EVM ≤ -25dB
	802.11n /MCS7 : 16dBm ± 2 dB	EVM ≤ -28dB
Spectrum Mask	Meet with IEEE standard	
Freq. Tolerance	± 20ppm	
Test Items	TYP Test Value	Standard Value
SISO Receive Sensitivity (11b,20MHz) @8% PER	- 1Mbps PER @ -97 dBm	≤-94 dBm
	- 2Mbps PER @ -95 dBm	≤-92 dBm
	- 5.5Mbps PER @ -92 dBm	≤-89 dBm
	- 11Mbps PER @ -90 dBm	≤-87 dBm
SISO Receive Sensitivity (11g,20MHz) @10% PER	- 6Mbps PER @ -94 dBm	≤-89 dBm
	- 9Mbps PER @ -92 dBm	≤-88 dBm
	- 12Mbps PER @ -91 dBm	≤-87 dBm
	- 18Mbps PER @ -88 dBm	≤-86 dBm
	- 24Mbps PER @ -85 dBm	≤-84 dBm
	- 36Mbps PER @ -82 dBm	≤-80 dBm
	- 48Mbps PER @ -79 dBm	≤-77 dBm
SISO Receive Sensitivity (11n,20MHz) @10% PER	- MCS=0 PER @ -93 dBm	≤-89 dBm
	- MCS=1 PER @ -90 dBm	≤-86 dBm
	- MCS=2 PER @ -89 dBm	≤-84 dBm
	- MCS=3 PER @ -85 dBm	≤-82 dBm
	- MCS=4 PER @ -82 dBm	≤-79 dBm
	- MCS=5 PER @ -78 dBm	≤-76 dBm
	- MCS=6 PER @ -76 dBm	≤-74 dBm
	- MCS=7 PER @ -73 dBm	≤-72 dBm
Maximum Input Level	802.11b : -10 dBm	
	802.11g/n : -20 dBm	

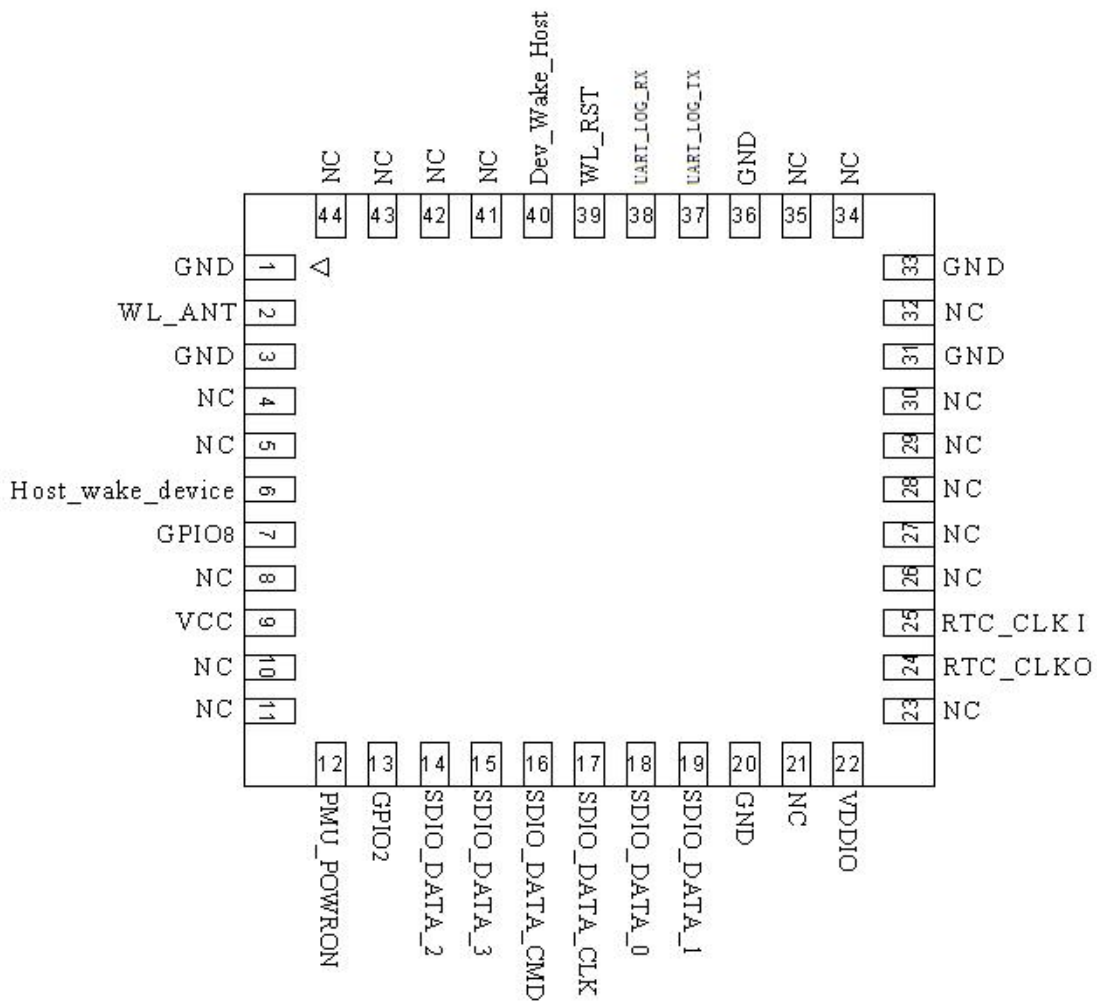
Antenna Reference	PCB antenna with 0~2 dBi peak gain
-------------------	------------------------------------

All rate power is control by firmware driver of wifi_cfg file.

5. Pin Definition

5.1 Pin Outline

< TOP VIEW >



5.2 Pin Definition details

NO.	Name	Type	Description	Voltage
1	GND	—	Ground connections	
2	WL_ANT	I/O	RF I/O port	
3	GND	—	Ground connections	
4	NC	—	Floating (Don't connected to ground)	
5	NC	—	Floating (Don't connected to ground)	
6	Host wake device	I	Host Wake up Wi-Fi, GPIO06 with muti function	VDDIO
7	GPIO8	I/O	GPIO8 or configured as SDIO interrupt pin.	VDDIO
8	NC	—	Floating (Don't connected to ground)	
9	VCC	P	Main power voltage source input 2.3V-3.6V	3.3V
10	NC	—	Floating (Don't connected to ground)	
11	NC	—	Floating (Don't connected to ground)	
12	PMU_POWRON	I	Enable pin for WLAN device Default ON: pull high ; OFF: pull low	VDDIO
13	GPIO2	I/O	GPIO02 with muti function.	VDDIO
14	SDIO_DATA_2	I/O	SDIO data line 2, GPIO09 with muti function.	VDDIO
15	SDIO_DATA_3	I/O	SDIO data line 3, GPIO10 with muti function.	VDDIO
16	SDIO_DATA_CMD	I/O	SDIO command line, GPIO11	VDDIO
17	SDIO_DATA_CLK	I	SDIO clock line, GPIO12	VDDIO
18	SDIO_DATA_0	I/O	SDIO data line 0, GPIO13	VDDIO
19	SDIO_DATA_1	I/O	SDIO data line 1, GPIO14 with muti function.	VDDIO
20	GND	—	Ground connections	
21	NC	—	Floating (Don't connected to ground)	
22	VDDIO	P	I/O Voltage supply input 1.8V/3.3V	VDDIO
23	NC	—	Floating (Don't connected to ground)	
24	RTC_CLK O	I/O	GPIO00,Floating if module have RTC, otherwise connect with external RTC clock	VDDIO
25	RTC_CLK I	I	GPIO01,Floating if module have RTC, otherwise connect with external RTC clock	VDDIO
26	NC	—	Floating (Don't connected to ground)	
27	NC	—	Floating (Don't connected to ground)	
28	NC	—	Floating (Don't connected to ground)	

29	NC	—	Floating (Don't connected to ground)	
30	NC	—	Floating (Don't connected to ground)	
31	GND	—	Ground connections	
32	NC	—	Floating (Don't connected to ground)	
33	GND	—	Ground connections	
34	NC	-	Floating (Don't connected to ground)	
35	NC	—	Floating (Don't connected to ground)	
36	GND	—	Ground connections	
37	UART_LOG_TX	—	UART0_LOG_TX,GPIO03 For firmware download	VDDIO
38	UART_LOG_RX	—	UART0_LOG_RX,GPIO04 For firmware download	VDDIO
39	WL_RST	I	GPIO07, muti function pin	VDDIO
40	Dev_Wake_Host	O	Wi-Fi wake up host. GPIO05 with muti function.	VDDIO
41	NC	—	Floating (Don't connected to ground)	
42	NC	—	Floating (Don't connected to ground)	
43	NC	—	Floating (Don't connected to ground)	
44	NC	—	Floating (Don't connected to ground)	

P:POWER I:INPUT O:OUTPUT

5.3 Muti Pin definition

3861L all GPIO pin can configure as muti function,detail see below information.

Pin	NAME	F.0	F.1	F.2	F.3	F.4	F.5	F.6	F.7	F.8
24	GPIO00	GPIO00	UART1_TXD	SPI1_CLK	PWM3	I2C1_SDA	RTC_OSC_32K	RTC32K_XOUT	/	/
25	GPIO01	GPIO01	UART1_RXD	SPI1_RXD	PWM4	I2C1_SCL	/	RTC32K_XINT	/	/
13	GPIO02	GPIO02	UART1_RTS	SPI1_TXD	PWM2	/	SSL_CLK	/	/	/
37	GPIO03	UART0_LOG_TX	UART1_CTS	SPI1_CS1	PWM5	I2C1_SDA	SSL_DATA	GPIO03	/	/
38	GPIO04	UART0_LOG_RX	/	/	PWM1	I2C1_SCL	/	GPIO04	ADC1	/
40	GPIO05	UART1_RXD	GPIO05	I2S0_MCK	PWM2	/	BT_STATUS	SPI0_CS1	ADC2	/
6	GPIO06	UART1_TXD	GPIO06	I2S0_TX	PWM3	/	COEX_SWITH	SPI0_CLK	/	/
39	GPIO07	UART1_CTS	GPIO07	I2S0_CLK	PWM0	/	BT_ACTIVE	SPI0_RXD	ADC3	/
7	GPIO08	UART1_RTS	GPIO08	I2S0_WS	PWM1	/	WLAN_ACTIVE	SPI0_TXD	/	/
14	GPIO09	GPIO09	UART2_RTS	SPI0_TXD	PWM0	I2C0_SCL	I2S0_MCK	SDIO_D2	ADC4	/
15	GPIO10	GPIO10	UART2_CTS	SPI0_CLK	PWM1	I2C0_SDA	I2S0_TX	SDIO_D3	/	/
16	GPIO11	GPIO11	UART2_TXD	SPI0_RXD	PWM2	/	I2S0_RX	SDIO_CMD	ADC5	/

17	GPIO12	GPIO12	UART2_RXD	SPI0_CS1	PWM3	/	I2S0_CLK	SDIO_CLK	ADC0	/
18	GPIO13	GPIO13	UART2_RTS	UART0_LOG_TX	PWM4	I2C0_SDA	I2S0_WS	SDIO_D0	ADC6	SSI_DATA
19	GPIO14	GPIO14	UART2_CTS	UART0_LOG_RX	PWM5	I2C0_SCL	/	SDIO_D1	/	SSI_CLK

Notes:

1. IO 类型: Ispu/O.
2. 驱动电流 1mA.
3. 电压 3.3/1.8V.

6. Electrical Specifications

6.1 Power Supply DC Characteristics

	MIN	TYP	MAX	Unit
Operating Temperature	-40	25	85	deg.C
VCC33	2.3	3.3	3.6	V
VDDIO	-	1.8V/3.3V	-	V

6.2 Power Consumption

Power Consumption	VCC = 3.3V(Unit:mA)	
	Sleep Mode	5uA
	TX Test mode (2.4G HT20@17dbm)	288
	RX Test mode (2.4G HT20)	53

Note: Suggested power input range in 3.3V.

6.3 Interface Circuit time series

6.3.1 SDIO Pin Description

The secure digital input/output (SDIO) interface supports three working modes:

Default speed mode (DS)

The maximum frequency of the interface clock is 25 MHz. The interface clock can work in 1-bit or 4-bit mode.

High speed mode (HS)

The maximum frequency of the interface clock is 50 MHz.

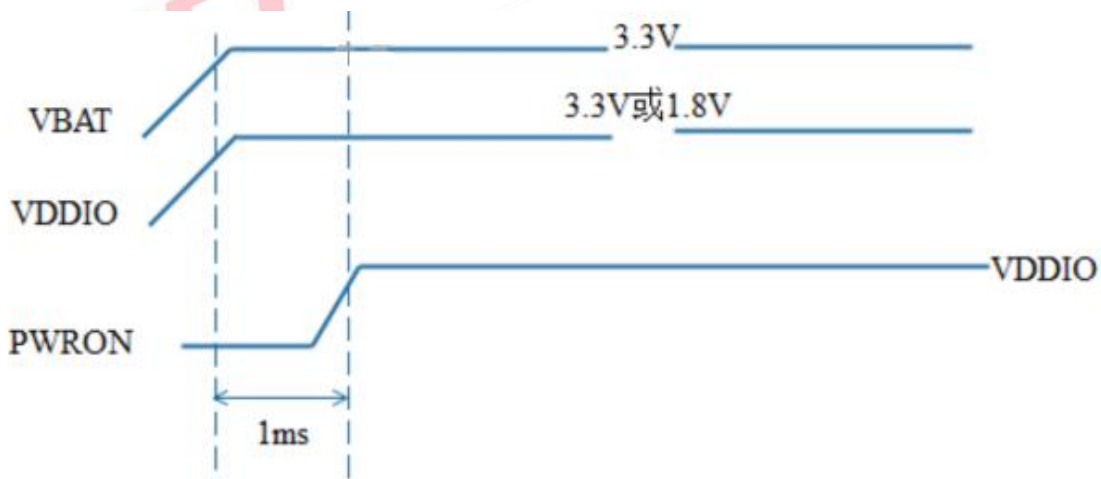
SDR25 mode

The maximum frequency of the interface clock is 50 MHz

SDIO Pin Description

SD 4-Bit Mode	
DATA0	Data Line 0
DATA1	Data Line 1
DATA2	Data Line 2
DATA3	Data Line 3
CLK	Clock
CMD	Command Line

6.3.2 Power on Sequence



※ VCC / VDDIO supreme electrical order requirements

※ In the process of power up, GPIO02 internal weak pull low ,the 40MHz crystal is selected..

6.3.3 SDIO CLK Timing Diagram

DS Mode

The DS mode is the default mode after the SDIO is powered on. To ensure compatibility with various host components, the DS mode requires a low working rate and supports only the 25 MHz clock

Clock parameters in DS mode (VDDIO = 3.3 V)

Parameter	Symbol	Min.	Max.	Unit	Remarks
Clock CLK (All values are referenced to min(V _{IH}) and max(V _{IL}))					
Clock frequency Date Transfer Mode	f _{pp}	-	25	MHz	C _{CARD} ≤ 10 pF
Clock frequency Identification Mode	f _{OD}	-	400	kHz	C _{CARD} ≤ 10 pF
Clock low time	t _{WL}	17	-	ns	C _{CARD} ≤ 10 pF
Clock high time	t _{WH}	17	-	ns	C _{CARD} ≤ 10 pF
Clock rise time	t _{TLH}	-	3	ns	C _{CARD} ≤ 10 pF
Clock fall time	t _{THL}	-	3	ns	C _{CARD} ≤ 10 pF

Clock parameters in DS mode (VDDIO = 1.8 V)

Parameter	Symbol	Min.	Max.	Unit	Remarks
Clock CLK (All values are referenced to min(V _{IH}) and max(V _{IL}))					
Clock frequency Date Transfer Mode	f _{pp}	-	25	MHz	C _{CARD} ≤ 10 pF
Clock frequency Identification Mode	f _{OD}	-	400	kHz	C _{CARD} ≤ 10 pF
Clock low time	t _{WL}	14	-	ns	C _{CARD} ≤ 10 pF
Clock high time	t _{WH}	14	-	ns	C _{CARD} ≤ 10 pF
Clock rise time	t _{TLH}	-	6	ns	C _{CARD} ≤ 10 pF
Clock fall time	t _{THL}	-	6	ns	C _{CARD} ≤ 10 pF

Figure 8-6 shows the output data timing in DS mode. t_{ISU} is the setup time, that is, the stability time required by the data of the SDIO interface before clock sampling in this mode. t_{IH} is the hold time, that is, the time required by the data of the SDIO interface to retain the original level after clock sampling in this mode.

Figure 8-6 Input timing in DS mode

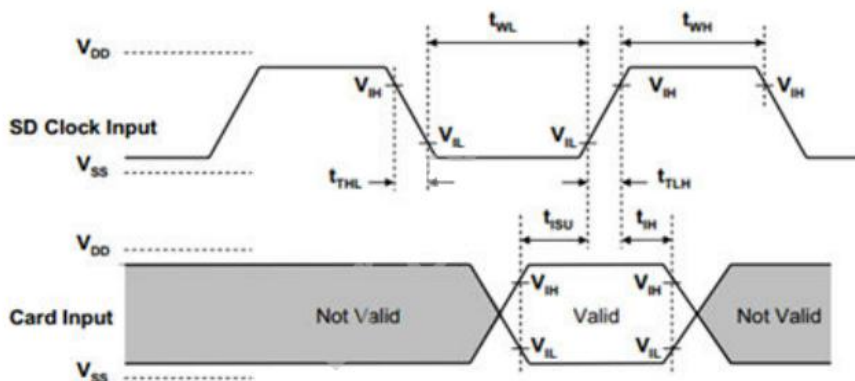


Figure 8-7 shows the input data timing in DS mode. Where, t_{ODLY(max)} is the maximum

delay of the output data relative to the clock falling edge, and tODLY(min) is the minimum delay of the output data relative to the clock falling edge.

Figure 8-7 Output timing in DS mode

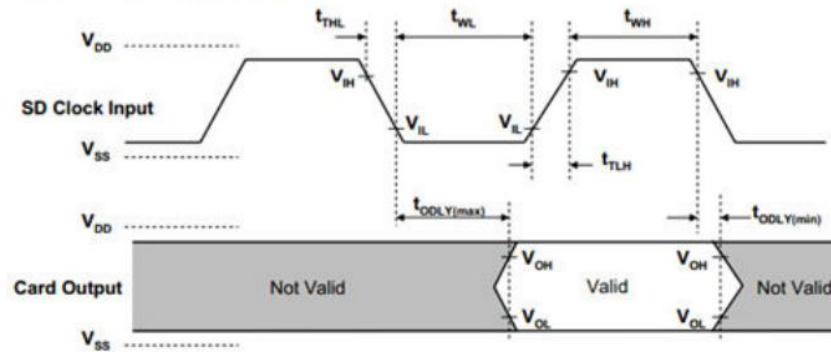


Table 8-12 describes the timing restrictions in DS mode.

Table 8-12 Timing restrictions in DS mode

Parameter	Symbol	Min.	Max.	Unit	Remarks
Inputs CMD, DAT (referenced to CLK)					
Input set-up time	t _{ISU}	3.5	-	ns	C _{CARD} ≤ 10 pF
Input hold time	t _{IH}	0	-	ns	C _{CARD} ≤ 10 pF
Outputs CMD, DAT(referenced to CLK)					
Output Delay time during Data Transfer Mode	t _{ODLY}	-	11	ns	C _L ≤ 40 pF
Output Delay time during Identification Mode	t _{ODLY}	-	11	ns	C _L ≤ 40 pF

Note: In DS mode, the output data is referenced to the clock falling edge, and the input data is referenced to the clock rising edge.

HS Mode

The HS mode is entered after the SDIO is powered on and initialized because a higher working rate than the DS mode is required. In HS mode, the clock supports 50 MHz. For details about the restrictions on the clock, see Table 8-13.

Table 8-13 Clock parameters in HS mode (VDDIO = 3.3 V)

Parameter	Symbol	Min.	Max.	Unit	Remarks
Clock CLK (All values are referenced to min(V_IH) and max(V_IL))					
Clock frequency Data Transfer Mode	f _{pp}	-	50	MHz	C _{CARD} ≤ 10 pF
Clock low time	t _{WL}	7	-	ns	C _{CARD} ≤ 10 pF
Clock high time	t _{WH}	7	-	ns	C _{CARD} ≤ 10 pF
Clock rise time	t _{TLH}	-	3	ns	C _{CARD} ≤ 10 pF
Clock fall time	t _{THL}	-	3	ns	C _{CARD} ≤ 10 pF

Table 8-14 Clock parameters in HS mode (VDDIO = 1.8 V)

Parameter	Symbol	Min.	Max.	Unit	Remarks
Clock CLK (All values are referenced to min(V_{IH}) and max(V_{IL}))					
Clock frequency Date Transfer Mode	f_{pp}	-	50	MHz	$C_{CARD} \leq 10$ pF
Clock low time	t_{WL}	4	-	ns	$C_{CARD} \leq 10$ pF
Clock high time	t_{WH}	4	-	ns	$C_{CARD} \leq 10$ pF
Clock rise time	t_{TLH}	-	6	ns	$C_{CARD} \leq 10$ pF
Clock fall time	t_{THL}	-	6	ns	$C_{CARD} \leq 10$ pF

Figure 8-8 shows the input data timing in HS mode. t_{ISU} is the setup time, that is, the stability time required by the data of the SDIO interface before clock sampling in this mode. t_{IH} is the hold time, that is, the time required by the data of the SDIO interface to retain the original level after clock sampling in this mode

Figure 8-8 Input timing in HS mode

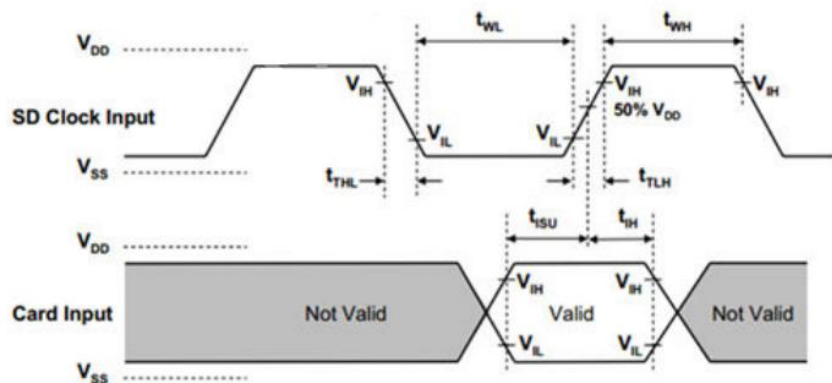


Figure 8-9 shows the output data timing in HS mode. Where, $t_{ODLY(max)}$ is the maximum delay of the output data relative to the clock rising edge, and t_{OH} is the minimum delay of the output data relative to the clock rising edge.

Figure 8-9 Output timing in HS mode

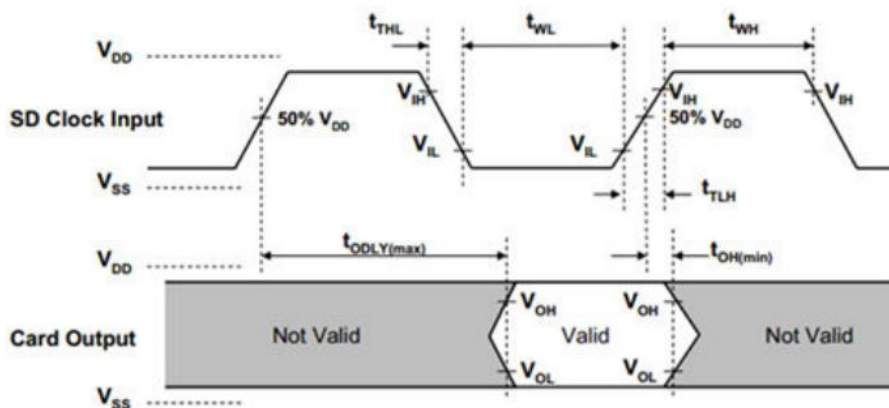


Table 8-15 describes the timing restrictions in HS mode.

Table 8-15 Timing restrictions in HS mode (VDDIO = 3.3 V)

Parameter	Symbol	Min.	Max.	Unit	Remarks
Inputs CMD, DAT (referenced to CLK)					
Input set-up time	t _{ISU}	3.5	-	ns	C _{CARD} ≤ 10 pF
Input hold time	t _{IH}	0	-	ns	C _{CARD} ≤ 10 pF
Outputs CMD, DAT(referenced to CLK)					
Output Delay time during Data Transfer Mode	t _{ODLY}	-	12	ns	C _L ≤ 40 pF
Output Hold time	t _{OH}	3	-	ns	C _L ≤ 40 pF
Total System Capacitance for each line	C _L	-	40	pF	1 card

Table 8-16 Timing restrictions in HS mode (VDDIO = 1.8 V)

Parameter	Symbol	Min.	Max.	Unit	Remarks
Inputs CMD, DAT (referenced to CLK)					
Input set-up time	t _{ISU}	3.5	-	ns	C _{CARD} ≤ 10 pF
Input hold time	t _{IH}	0	-	ns	C _{CARD} ≤ 10 pF
Outputs CMD, DAT(referenced to CLK)					
Output Delay time during Data Transfer Mode	t _{ODLY}	-	18	ns	C _L ≤ 40 pF
Output Hold time	t _{OH}	4.5	-	ns	C _L ≤ 40 pF
Total System Capacitance for each line	C _L	-	40	pF	1 card

Note: The data signal timing in HS mode is different from that in DS mode. The output data and input data are referenced to the clock rising edge.

SDR25 Mode

The SDR25 mode is entered only after the voltage of the SDIO is switched. In this mode, the maximum interface clock frequency is 50 MHz. **Table 8-17** describes the clock restrictions.

Table 8-17 Clock parameters in SDR25 mode (VDDIO = 3.3 V)

Parameter	Symbol	Min.	Max.	Unit	Remarks
Clock CLK (All values are referenced to min(V _{IH}) and max(V _{IL}))					
Clock frequency Data Transfer Mode	f _{PP}	-	50	MHz	C _{CARD} ≤ 10 pF
Clock low time	t _{WL}	7	-	ns	C _{CARD} ≤ 10 pF
Clock high time	t _{WH}	7	-	ns	C _{CARD} ≤ 10 pF
Clock rise time	t _{TLH}	-	3	ns	C _{CARD} ≤ 10 pF
Clock fall time	t _{THL}	-	3	ns	C _{CARD} ≤ 10 pF

Table 8-18 Clock parameters in SDR25 mode (VDDIO = 1.8 V)

Parameter	Symb ol	Min.	Max.	Unit	Remarks
Clock CLK (All values are referenced to min(V _{IH}) and max(V _{IL}))					
Clock frequency Date Transfer Mode	f _{pp}	-	50	MHz	C _{CARD} ≤ 10 pF
Clock low time	t _{WL}	4	-	ns	C _{CARD} ≤ 10 pF
Clock high time	t _{WH}	4	-	ns	C _{CARD} ≤ 10 pF
Clock rise time	t _{TLH}	-	6	ns	C _{CARD} ≤ 10 pF
Clock fall time	t _{THL}	-	6	ns	C _{CARD} ≤ 10 pF

Table 8-19 Timing restrictions in SDR25 mode (VDDIO = 3.3 V)

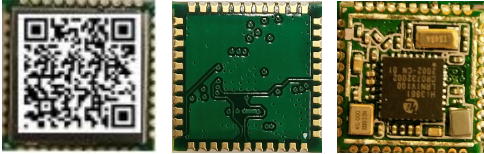
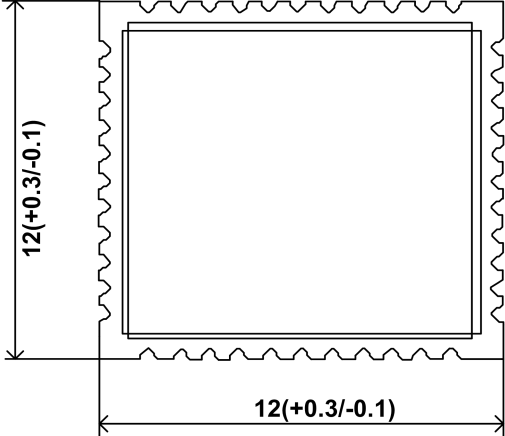
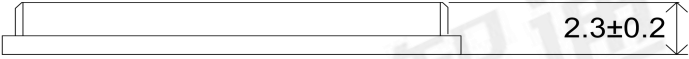
Parameter	Symb ol	Min.	Max.	Unit	Remarks
Inputs CMD, DAT (referenced to CLK)					
Input set-up time	t _{ISU}	3.5	-	ns	C _{CARD} ≤ 10 pF
Input hold time	t _{IH}	0	-	ns	C _{CARD} ≤ 10 pF
Outputs CMD, DAT(referenced to CLK)					
Output Delay time during Data Transfer Mode	t _{ODLY}	-	12	ns	C _L ≤ 40 pF
Output Hold time	t _{OH}	3	-	ns	C _L ≤ 40 pF
Total System Capacitance for each line	C _L	-	40	pF	1 card

Table 8-20 Timing restrictions in SDR25 mode (VDDIO = 1.8 V)

Parameter	Symb ol	Min.	Max.	Unit	Remarks
Inputs CMD, DAT (referenced to CLK)					
Input set-up time	t _{ISU}	3.5	-	ns	C _{CARD} ≤ 10 pF
Input hold time	t _{IH}	0	-	ns	C _{CARD} ≤ 10 pF
Outputs CMD, DAT(referenced to CLK)					
Output Delay time during Data Transfer Mode	t _{ODLY}	-	18	ns	C _L ≤ 40 pF
Output Hold time	t _{OH}	4.5	-	ns	C _L ≤ 40 pF
Total System Capacitance for each line	C _L	-	40	pF	1 card

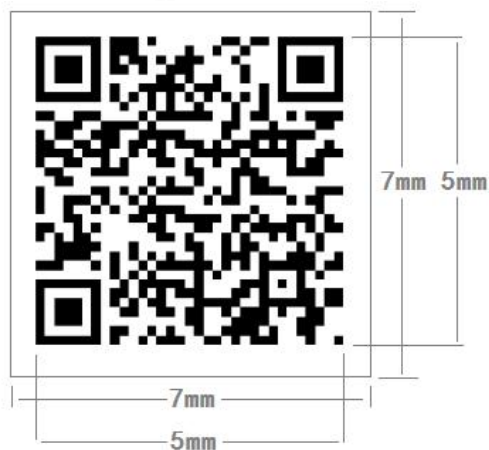
7. Size reference

7.1 Module Picture

<p>L x W : 12 x 12 (+0.3/-0.1) mm</p> 	
<p>H: 2.3 (±0.2) mm</p>	
<p>Weight</p>	<p>0.66g</p>

7.2 Marking Description

< TOP VIEW >



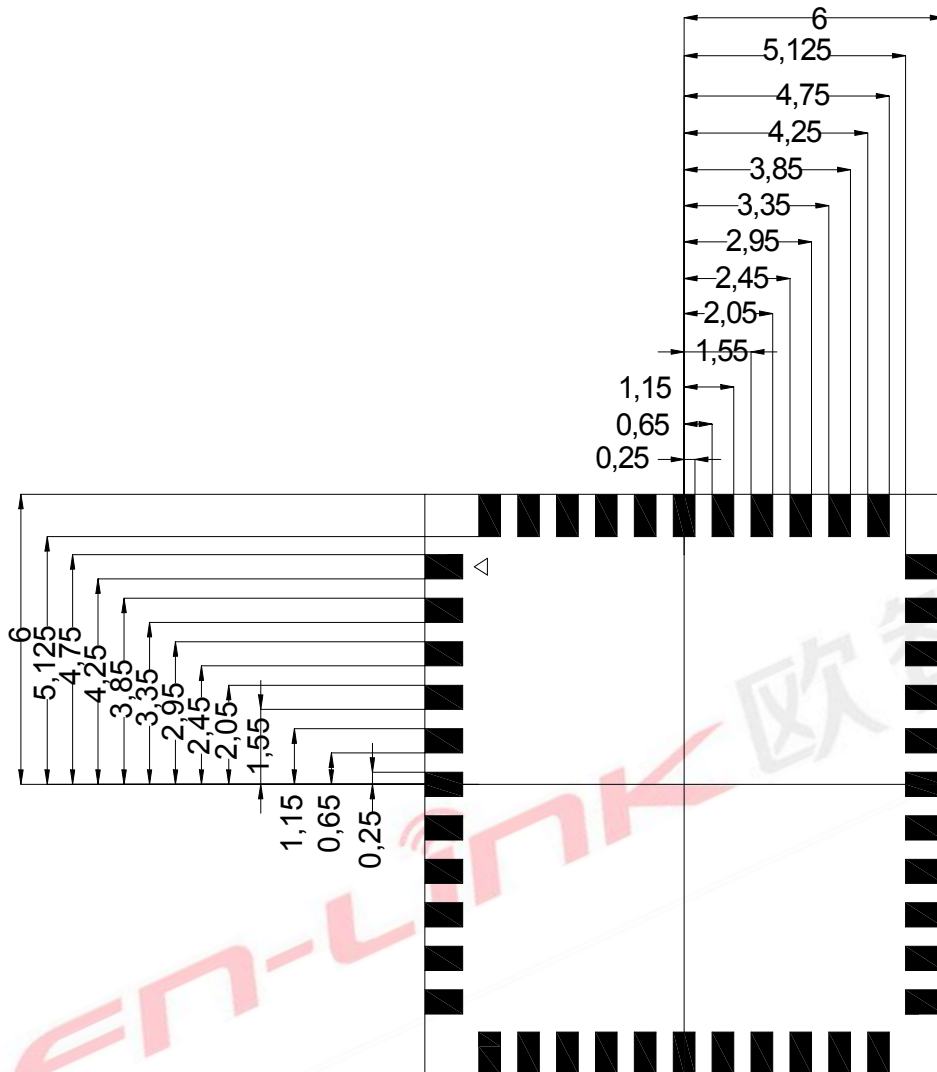
二维码信息:

2101 FG3161ASLX-00 FIFNLINK-1.1.2B04 M:0C9A4220C088

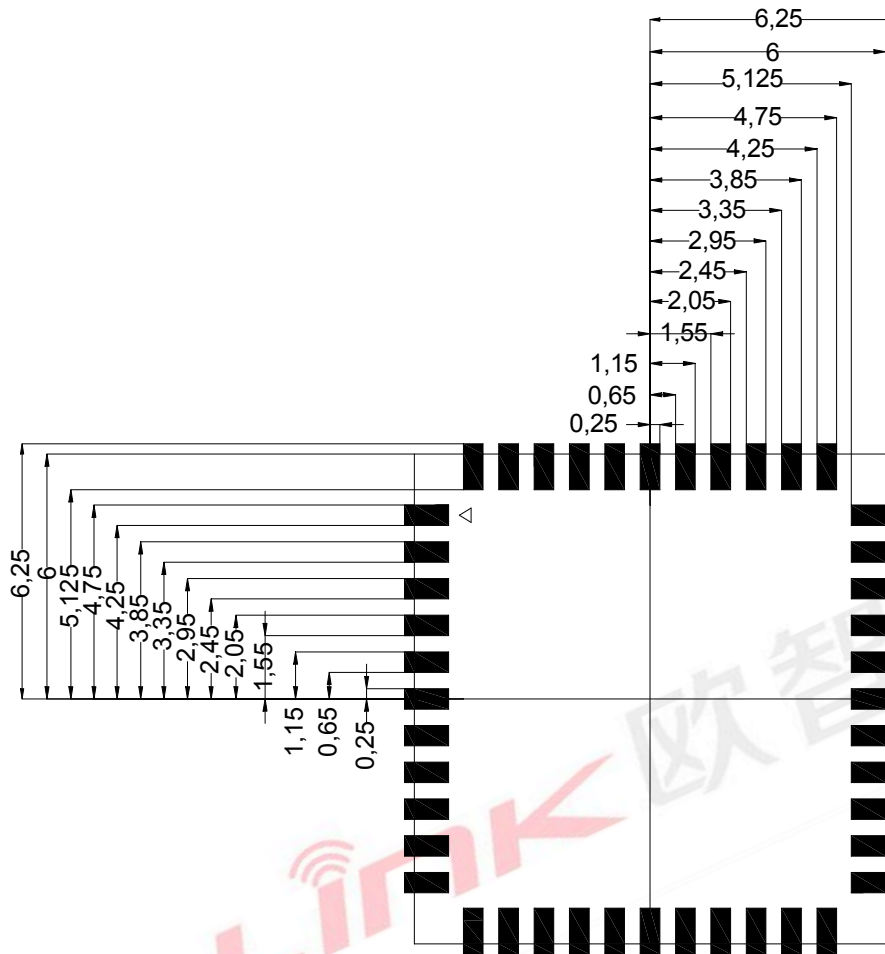
Date code 成品料号 固件料号 mac 地址

7.3 Physical Dimensions

<TOP View>



7.4 Layout Recommendation

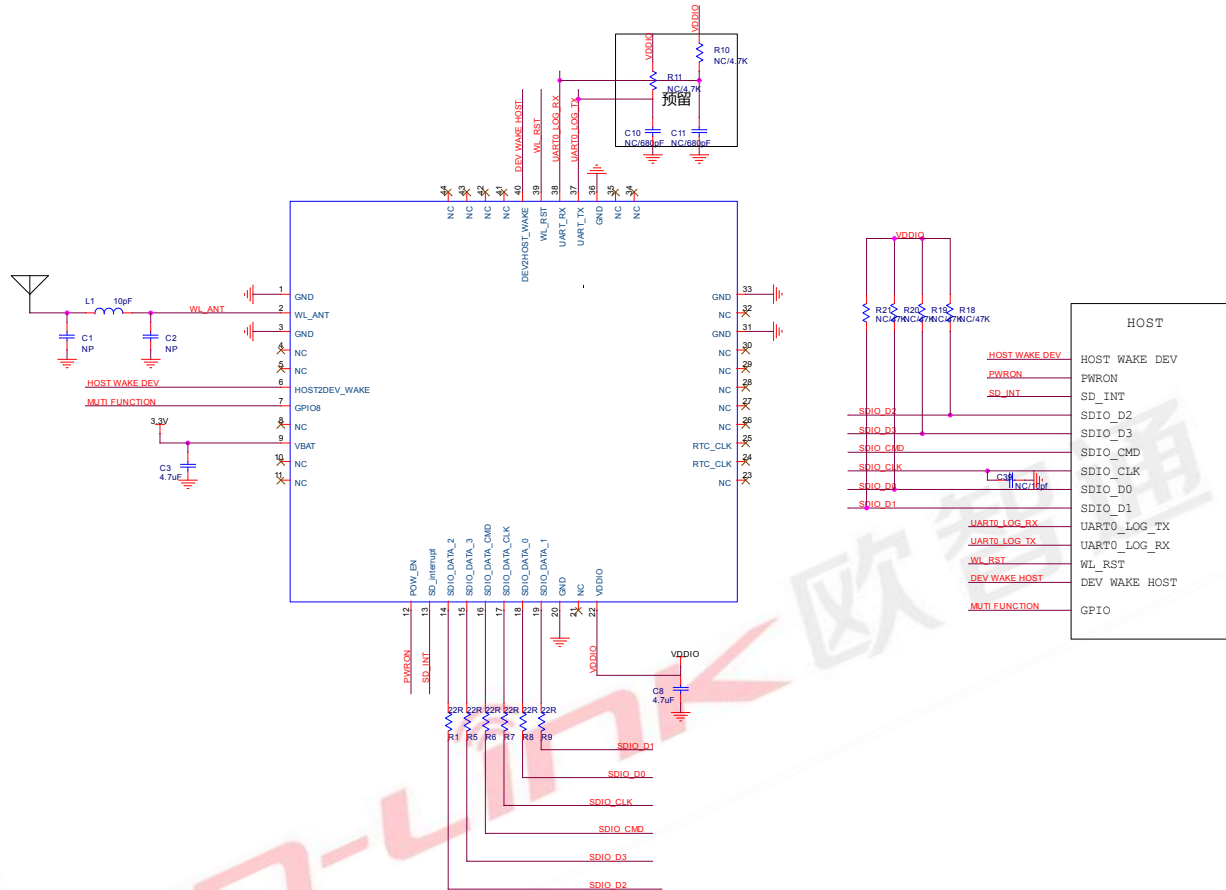


8. The Key Material List

Item	Part Name	Description	Manufacturer
1	Inductor	2016 2.2uH ,±20%,1.5A	Microgate,sunlord,cenke,ceaiya
2	Shielding	3161A-SL Shielding cover	Xintai,jinlitong
3	Crystal	2520 40MHZ,10ppm	HOSONIC,ECEC,TKD,JWT
4	RTC	3215 32.768KHZ 12.5PF 20PPM	TKD,HOSONIC,ECEC
5	Chipset	Hi3861LRNIV100 QFN32	Hisilicon
6	PCB	3161A-SL,green,4L,FR4,,12X12X0.8mm	XY-PCB,KX-PCB,SL-PCB,sunlord
7	TVS	0201,4V, 0.05pF ,15KV TVS	Murata,Sunlord,way-on

9. Reference Design

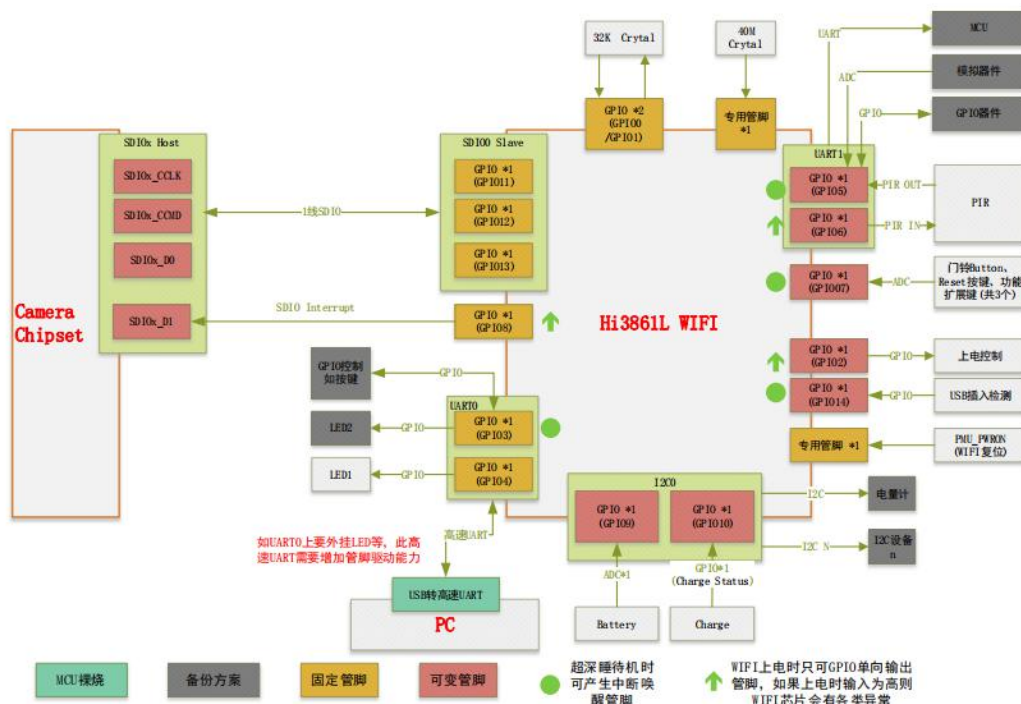
9.1 4line SDIO Reference Design



Notes:

1. 4line WLAN module application, all wake function may not supported;
2. Can using Power EN pin to shut down module for power saving;

9.2 1line SDIO Reference Design



设计注意事项:

1. Hi3861L 与 Hi18EV300 互连的以下管脚请完全拷贝海思设计, 禁止修改。

- GPIO8
- GPIO11
- GPIO12
- GPIO13

这些管脚会由软件上的 Hisyslink 组件直接控制, Hi3861L 的 SDIO 使用 1 线模式 配置。

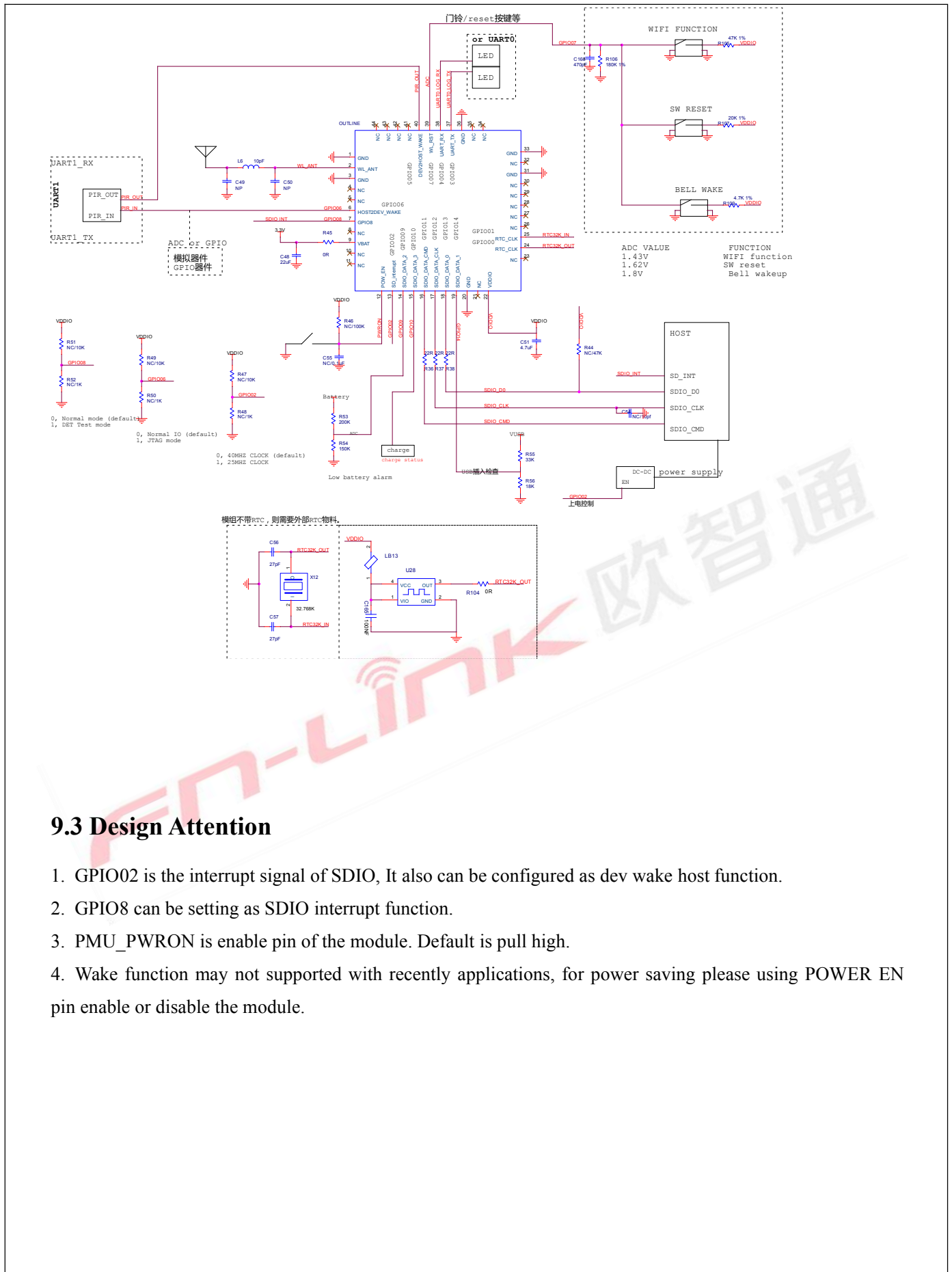
2. 3161A WIFI 上电复位 (POR: Power On Reset)期间, GPIO2/GPIO6/GPIO8 不能输入高电平, 否则芯片可能出现未知异常, 如出现 Flash 被写保护等问题。任何在上电器件可能出现高电平的应用都禁止接入到 GPIO2/GPIO6/GPIO8, 如 PIR 输入、按键输入、USB 插入检测。待 Hi3861L 上电完成 POR 后, 这些管脚可以输入高电平。

3. 如果要支持 WIFI 裸烧, UART 只能接在 GPIO3/GPIO4 上, 其中 TX 接 GPIO_3, RX 接 GPIO4。裸烧时建议选择支持高速 UART 的电脑以提升效率高速模式下 UART 的速率达 900Kbps-2Mbps, 比普通模式下 UART 的烧写速度更快。GPIO3/4 管脚上可以再外接 LED 灯、按键等管脚, 但要做好软硬件上的处理(如开关控制、外置管脚驱动能力等)。

4. 当 WIFI 待机时, 外部设备可以通过 GPIO3/GPIO5/GPIO7/GPIO14 以中断方式唤醒 WIFI。

5. 由于管脚有限, 在 GPIO7 上接了三个按键。使用方法为先使用 GPIO 中断, 在获取到 GPIO 中断后, 再复用成 ADC 进行电压采集, 以区分按键。

6. WIFI IO 电平与 VDDIO 供电电压一致。当 VDDIO 采用 3.3V 供电时, WIFI IO 配置为 3.3V。



9.3 Design Attention

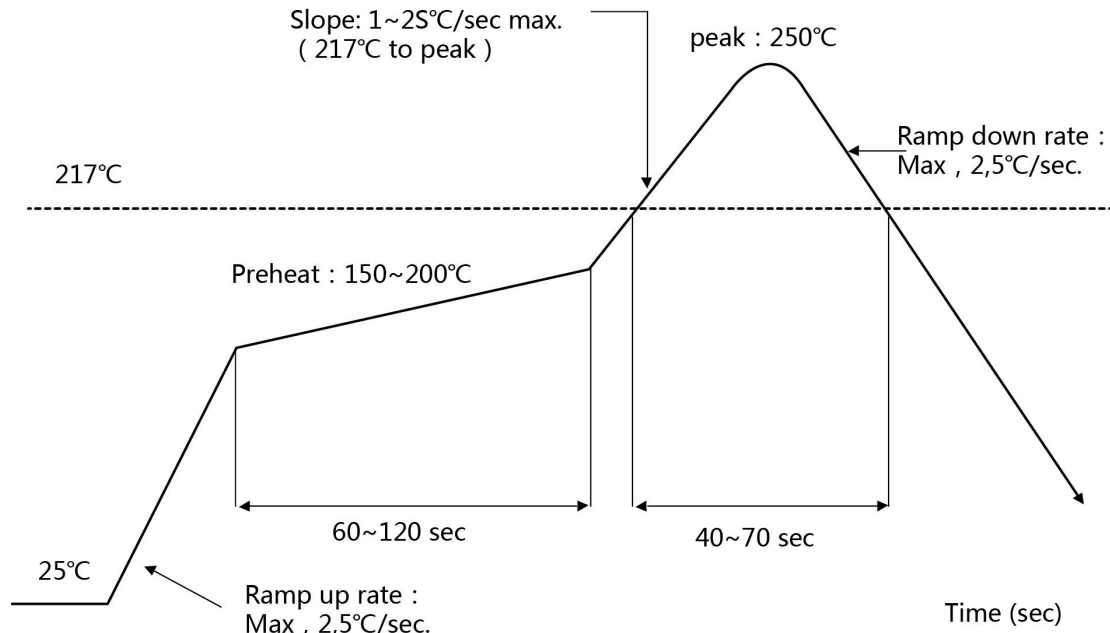
1. GPIO02 is the interrupt signal of SDIO, It also can be configured as dev wake host function.
2. GPIO8 can be setting as SDIO interrupt function.
3. PMU_PWRON is enable pin of the module. Default is pull high.
4. Wake function may not supported with recently applications, for power saving please using POWER EN pin enable or disable the module.

10. Recommended Reflow Profile

Referred to IPC/JEDEC standard.

Peak Temperature : <250°C

Number of Times : ≤2 times



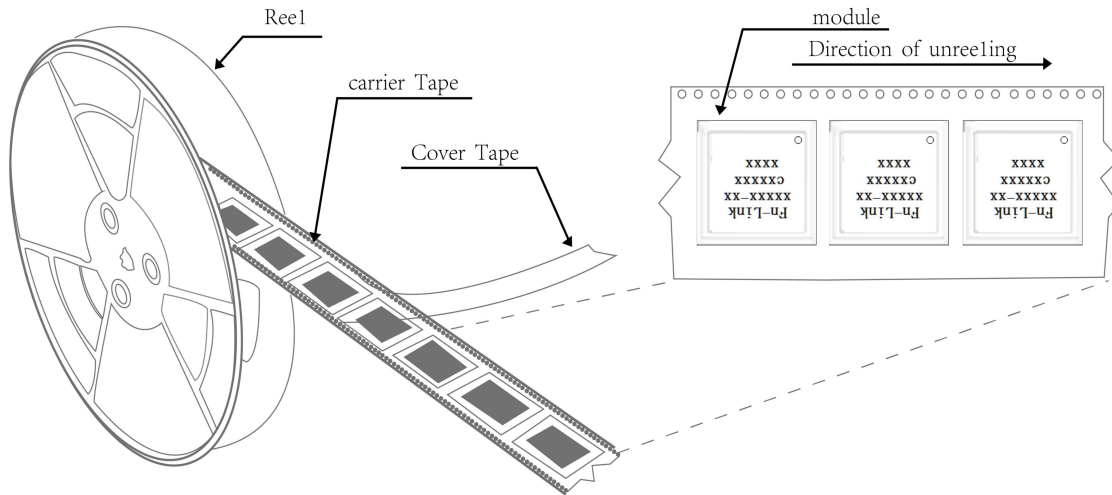
11. RoHS compliance

All hardware components are fully compliant with EU RoHS directive

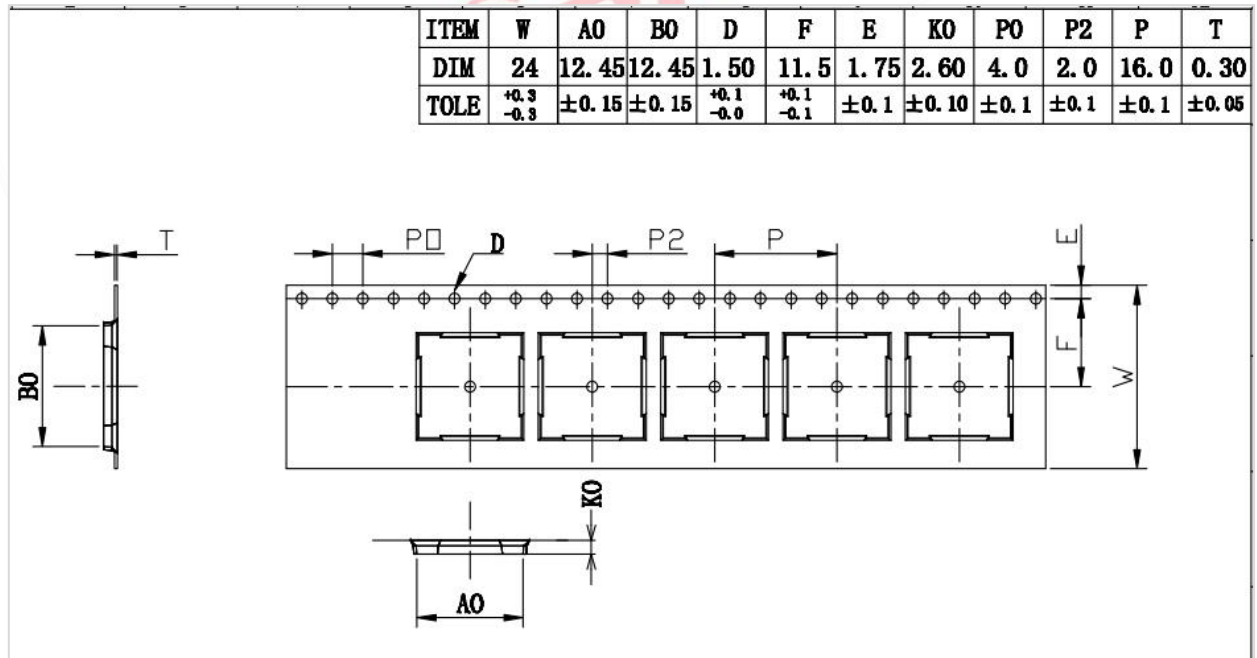
12. Package

12.1 Reel

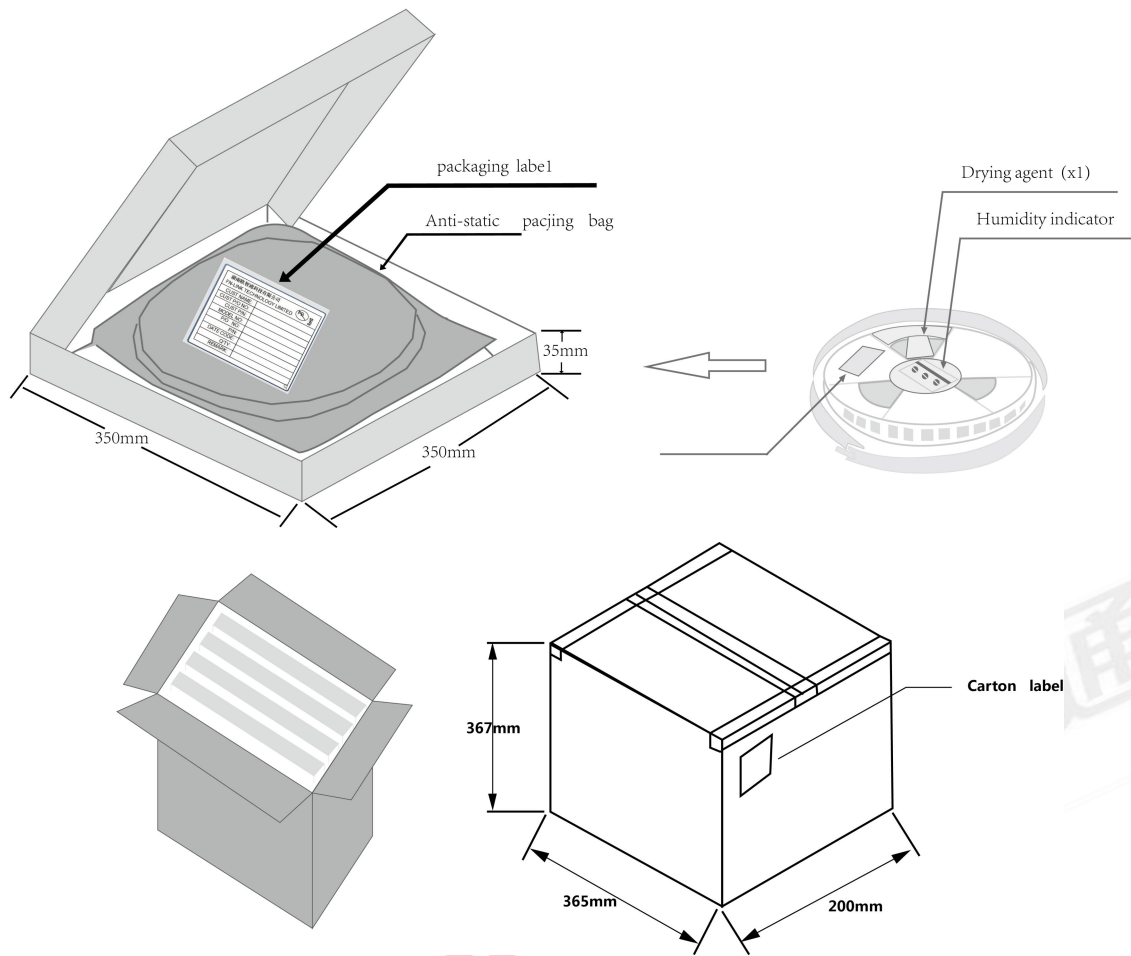
A roll of 1500pcs



12.2 Carrier Tape Detail



12.3 Packaging Detail



13. Moisture sensitivity

The Modules is a Moisture Sensitive Device level 3, in according with standard IPC/JEDEC J-STD-020, take care

all the relatives requirements for using this kind of components.

Moreover, the customer has to take care of the following conditions:

- a) Calculated shelf life in sealed bag: 12 months at <math><40^{\circ}\text{C}</math> and <math><90\%</math> relative humidity (RH)
- b) Environmental condition during the production: - c) The maximum time between the opening of the sealed bag and the reflow process must be 168 hours if condition
- b) “IPC/JEDEC J-STD-033A paragraph 5.2” is respected
- d) Baking is required if conditions b) or c) are not respected
- e) Baking is required if the humidity indicator inside the bag indicates 10% RH or more